

OPERATING RADIUS FROM CENTERLINE OF ROTATION IN FEET

1 PART LINE	2 PART LINE	3 PART LINE	4 PART LINE	5 PART LINE	6 PART LINE	7 PART LINE
OVERHAUL BALL 8500 LBS	SINGLE SHEAVE BLOCK 17000 LBS	SINGLE SHEAVE BLOCK 25500 LBS	TRIPLE SHEAVE BLOCK 34000 LBS	TRIPLE SHEAVE BLOCK AUXILIARY BLOCK 42500 LBS	TRIPLE SHEAVE BLOCK AUXILIARY BLOCK 51000 LBS	TRIPLE SHEAVE BLOCK AUXILIARY SHEAVE AUXILIARY BLOCK 51800 LBS
7400 LBS	14800 LBS	22200 LBS	29600 LBS	37000 LBS	44400 LBS	51800 LBS

ALLOWABLE LINE PULL

WARNING

ANTI-TWO-BLOCK SYSTEM MUST BE IN GOOD OPERATING CONDITION BEFORE OPERATING CRANE. REFER TO THE OWNER'S MANUAL. KEEP AT LEAST 3 WRAPS OF LOAD LINE ON THE DRUM AT ALL TIMES.

DEDUCTIONS FROM RATED LOADS FOR LOAD HANDLING DEVICES SUPPLIED BY MANITEX

AUXILIARY BLOCK	50 LBS
AUXILIARY SHEAVE	50 LBS
OVERHAUL BALL	SEE OVERHAUL BALL MFR. NAMEPLATE
LOAD BLOCK	SEE BLOCK MFR. NAMEPLATE
HOSE REEL	140 LBS
SWING AROUND JIB	SEE LOAD CHART

WARNING
LIFTING OFF THE MAIN BOOM POINT WHILE THE SWING AROUND JIB IS ERECTED IS NOT INTENDED OR APPROVED.

LOAD RATINGS IN LBS WITH OUTRIGGERS AND STABILIZERS EXTENDED

OPERATING RADIUS IN FT	BOOM LENGTH AND BOOM ANGLE				OPERATING RADIUS IN FT	BOOM LENGTH	JIB LENGTH FOR ALL BOOM LENGTHS SEE WARNING NOTE 4	BOOM DAMAGING	JIB LENGTH FOR ALL BOOM LENGTHS SEE WARNING NOTE 4
	A	B	C	D					
5	28 FT	47 FT	62 FT	77 FT	92 FT	26 FT	46 FT		
8	56000	40670							
10	34520	78 22500							
12	30130	76 21510	80 20400						
15	25430	72 17730	77 16660	80 15920					
20	20130	65 13720	72 12720	77 12030	79 10700				
25	15630	58 11160	67 10240	73 9600	76 9120	25 79			
30	50	9330	62 8530	69 7930	73 7460	30 77			
35	41	7900	57 7240	65 6680	70 6250	35 75			
40	30	6580	51 6230	60 5730	67 5330	40 72			
45	11	4740	44 5380	56 4960	63 4580	45 70			
50			36 4620	51 4330	59 3980	50 67			
55			27 3760	46 3770	55 3470	55 64			
60			10 2670	40 3170	51 3040	60 62			
65				33 2610	47 2650	65 59			
70				24 2140	42 2200	70 56			
75				9 1430	37 1800	75 53			
80					31 1460	80 49			
85					23 1170	85 46			
90						90 42			
95						95 38			
100						100			
105						105			
460 LBS	270 LBS	210 LBS	170 LBS	140 LBS	210 LBS	DEDUCTIONS FOR STOWED FIXED JIB			
690 LBS	410 LBS	310 LBS	250 LBS	210 LBS	210 LBS	DEDUCTIONS FOR STOWED TELESCOPIC JIB			

WARNING

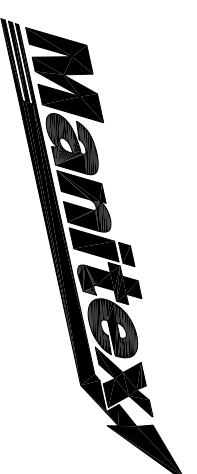
1. THE OPERATOR MUST READ AND UNDERSTAND THE OWNER'S MANUAL BEFORE OPERATING THIS CRANE.
2. POSITIONING OR OPERATION OF CRANE BEYOND AREAS SHOWN ON THIS CHART IS NOT INTENDED OR APPROVED EXCEPT WHERE SPECIFIED IN OWNER'S MANUAL.
3. LOADED BOOM ANGLES AT SPECIFIED BOOM LENGTHS GIVE ONLY AN APPROXIMATION OF THE OPERATING RADIUS. THE BOOM ANGLE BEFORE LOADING SHOULD BE GREATER TO ACCOUNT FOR DEFLECTIONS. DO NOT EXCEED THE OPERATING RADIUS FOR RATED LOADS.
4. THE OPERATING RADIUS SHOWN IN THE JIB RATING CHART IS FOR FULLY EXTENDED BOOM ONLY. WHEN BOOM IS NOT FULLY EXTENDED, USE ONLY LOADED BOOM ANGLE TO DETERMINE LOAD RATING OF JIB.
5. BOOM MUST BE FULLY RETRACTED WHEN JIB IS ERECTED, BEFORE LOWERING BOOM THRU THIS AREA.
6. FOR BOOM ANGLES NOT SHOWN ON JIB LOAD RATING CHART, USE RATING OF NEXT LOWER BOOM ANGLE.
7. FOR BOOM LENGTHS NOT SHOWN, USE RATING OF NEXT SHORTER OR LONGER BOOM LENGTH, WHICHEVER IS LESS. FOR RADII NOT SHOWN, USE RATING OF NEXT LONGER RADIUS.
8. CRANE LOAD RATINGS ON OUTRIGGERS ARE BASED ON FREELY SUSPENDED LOADS WITH THE MACHINE LEVELED AND STANDING ON A FIRM UNIFORM SUPPORTING SURFACE. NO ATTEMPT SHALL BE MADE TO MOVE A LOAD HORIZONTALLY ON THE GROUND IN ANY DIRECTION.
9. PRACTICAL WORKING LOADS DEPEND ON SUPPORTING SURFACE, WIND, AND OTHER FACTORS AFFECTING STABILITY SUCH AS HAZARDOUS SURROUNDINGS, EXPERIENCE OF PERSONNEL, AND PROPER HANDLING. ALL OF WHICH MUST BE TAKEN INTO ACCOUNT BY THE OPERATOR.
10. THE MAXIMUM LOAD WHICH MAY BE TELESCOPED IS LIMITED BY HYDRAULIC PRESSURE, BOOM ANGLE, AND BOOM LUBRICATION. IT IS SAFE TO ATTEMPT TO TELESCOPE ANY LOAD WITHIN THE LIMITS OF THE LOAD RATING CHART. BOOM MUST BE FULLY RETRACTED AGAINST BOOM STOPS AT ALL TIMES WHEN LIFTING MINIMUM BOOM LENGTH CAPACITY LOADS.

INFORMATION

1. DEDUCTIONS MUST BE MADE FROM RATED LOADS FOR STOWED JIB, OPTIONAL ATTACHMENTS, HOOKS, AND LOAD-BLOCKS (SEE DEDUCTION CHART). WEIGHTS OF SLINGS AND ALL OTHER LOAD HANDLING DEVICES SHALL BE CONSIDERED A PART OF THE LOAD.
2. CRANE LOAD RATINGS WITH OUTRIGGERS ARE BASED ON OUTRIGGERS AND STABILIZERS EXTENDED AND SET WITH MACHINE LEVELED.
3. LOAD RATINGS ABOVE THE HEAVY LINE ARE STRUCTURALLY LIMITED CAPACITIES. LOAD RATINGS BELOW THE HEAVY LINE ARE STABILITY LIMITED CAPACITIES AND DO NOT EXCEED 85% OF TIPPING.

DEFINITIONS

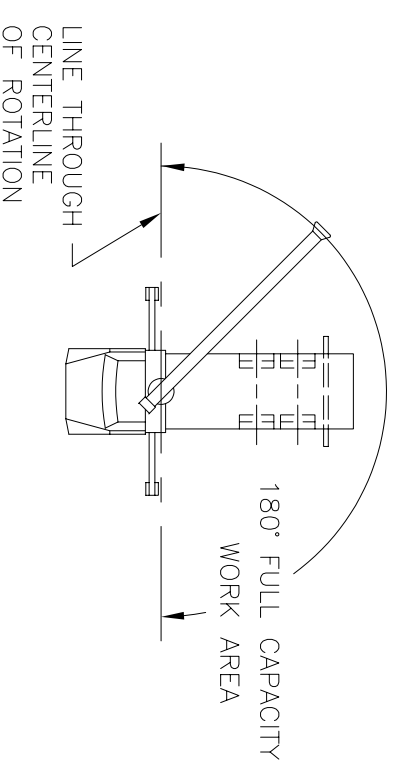
1. OPERATING RADIUS IS THE HORIZONTAL DISTANCE FROM THE AXIS OF ROTATION TO THE CENTER OF THE VERTICAL HOIST LINE OR TACKLE WITH LOAD APPLIED.
2. LOADED BOOM ANGLE AS SHOWN IN THE COLUMN HEADED BY \angle , IS THE INCLUDED ANGLE BETWEEN THE HORIZONTAL AND LONGITUDINAL AXES OF THE BOOM BASE AFTER LIFTING RATED LOAD AT RATED RADIUS.



MODELS
2892C & 2892T

CRANE MEETS ANSI B30.5 REQUIREMENTS

7300089-003 NR



AREA OF OPERATION